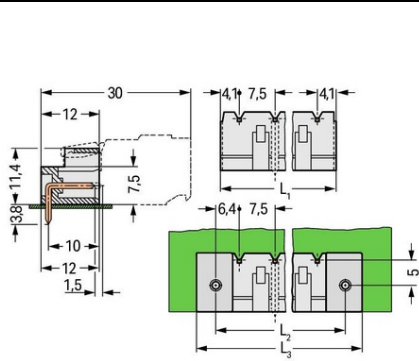


Furnizor: **Sc Trivolt Distribution SRL**  
Reg. com.: J23/3300/2016  
CIF: RO36421140  
Adresa: Strada Apusului nr 3 ( primul  
sens giratoriu Tehodor Pallady-  
Autostrada Soarelui), Catelu, Ilfov  
Banca: BRD  
IBAN: RO34BRDE441SV13182234410



**WAGO THT MALE HEADER; 1.0 X 1.0 MM SOLDER PIN; ANGLED;**  
**100% PROTECTED AGAINST MISMATING; PIN SPACING 7.5 MM; 9-**  
**POLE; LIGHT GRAY**

Ratings per: IEC/EN 60664-1;  
Tensiune nominala (III/3): 500; V  
Tensiune nominala de supratensiune (III/3): 6; kV  
Tensiune nominala (III/2): 630; V  
Tensiune nominala de supratensiune (III/2): 6; kV  
Tensiune nominala (II/2): 1000; V  
Tensiune nominala de supratensiune (II/2): 6; kV  
Curent nominal: 12; A  
Legend (ratings): (III / 2)  $\hat{a}\%$ ™ Overvoltage category III / Pollution degree 2;  
Tensiune nominala UL (Use Group B): 300; V  
Curent nominal UL (Use Group B): 15; A  
Tensiune nominala UL (Use Group D): 300; V  
Curent nominal UL (Use Group D): 10; A  
Certificari: UL 1059;  
Tensiune nominala UL 1977: 600; V  
Curent nominal UL 1977: 10; A  
Tensiune nominala CSA (Use Group B): 300; V  
Curent nominal CSA (Use Group B): 15; A  
Tensiune nominala CSA (Use Group D): 300; V  
Curent nominal CSA (Use Group D): 10; A  
Numar poli: 9;  
Total number of potentials: 9;  
Numar tipuri de conexiuni: 1;  
Numar nivele: 1;  
Distanta intre pini: 7.5 mm / 0.295 inch;  
Latime: 68.2 mm / 2.685 inch;  
Inaltime: 15.2 mm / 0.598 inch;  
Inaltime de la fata: 11.4 mm / 0.449 inch;  
Adancime: 12 mm / 0.472 inch;  
Lungimea pinului de contact: 3,8; mm  
Solder pin dimensions: 1 x 1 mm;  
Diametrul de gaurire cu toleranta: 1.4 (+0.1) mm;  
Tip contact (pluggable connector): Conector tata/fisa;  
Connector (connection type): for PCBs;  
Mismating protection: Yes;  
Mating direction to the PCB: 0; °  
PCB contact: THT;  
Solder pin arrangement: over the entire male connector, in line;  
Number of solder pins per potential: 1;  
Culoare: light gray;  
Material group: I;  
Material izolator: Polyamide 66 (PA 66);  
Flammability class per UL94: V0;  
Contact material: Cupru electrolitic(ESu);  
Contact plating: tin-plated;  
Fire load: 0,073; MJ  
Greutate: 3,6; g  
Temperatura lucru: -60 ... +100 °C;  
Product Group: 3 (Multi Conn. System);  
Tip ambalare: BOX;  
Tara de origine: DE;  
GTIN: 4044918870078;  
Customs tariff number: 85366990990;  
Pret: 13,49 lei (TVA inclus)

Detalii online: <https://www.materialelectrice.ro/tht-male-header-1-0-x-1-0-mm-solder-pin-angled-100-protected-against-mismating-pin-spacing-7-5-mm-9-pole-light-gray-134588>