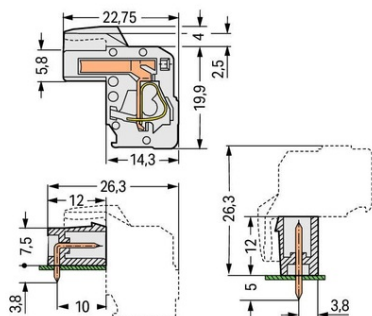


Furnizor: **Sc Trivolt Distribution SRL**  
Reg. com.: J23/3300/2016  
CIF: RO36421140  
Adresa: Strada Apusului nr 3 ( primul  
sens giratoriu Tehodor Pallady-  
Autostrada Soarelui), Catelu, Ilfov  
Banca: BRD  
IBAN: RO34BRDE441SV13182234410



**WAGO 1-CONDUCTOR FEMALE PLUG; ANGLED; 100% PROTECTED  
AGAINST MISMATCHING; 2,50 MM<sup>2</sup>; LIGHT GRAY**

Ratings per: IEC/EN 60664-1;  
Tensiune nominala (III/3): 320; V  
Tensiune nominala de supratensiune (III/3): 4; kV  
Tensiune nominala (III/2): 320; V  
Tensiune nominala de supratensiune (III/2): 4; kV  
Tensiune nominala (II/2): 630; V  
Tensiune nominala de supratensiune (II/2): 4; kV  
Curent nominal: 14; A  
Legend (ratings): (III / 2)  $\hat{a}$ %<sup>TM</sup> Overvoltage category III / Pollution degree 2;  
Tensiune nominala UL (Use Group B): 300; V  
Curent nominal UL (Use Group B): 15; A  
Tensiune nominala UL (Use Group D): 300; V  
Curent nominal UL (Use Group D): 10; A  
Certificari: UL 1059;  
Tensiune nominala UL 1977: 600; V  
Curent nominal UL 1977: 15; A  
Tensiune nominala CSA (Use Group B): 300; V  
Curent nominal CSA (Use Group B): 15; A  
Tensiune nominala CSA (Use Group D): 300; V  
Curent nominal CSA (Use Group D): 10; A  
Tehnologie conexiune: CAGE CLAMP®;  
Tip actionare: Operating tool;  
Solid conductor: 0.08 ... 2.5 mm<sup>2</sup> / 28 ... 12 AWG;  
Fine-stranded conductor: 0.08 ... 2.5 mm<sup>2</sup> / 28 ... 12 AWG;  
Fine-stranded conductor; with insulated ferrule: 0.25 ... 1.5 mm<sup>2</sup>;  
Fine-stranded conductor; with uninsulated ferrule: 0.25 ... 2.5 mm<sup>2</sup>;  
Strip length: 8 ... 9 mm / 0.31 ... 0.35 inch;  
Numar poli: 20;  
Numar total de conexiuni: 20;  
Total number of potentials: 20;  
Numar tipuri de conexiuni: 1;  
Numar nivele: 1;  
Conductor entry direction to mating direction: 270; °  
Distanta intre pini: 5 mm / 0.197 inch;  
Latime: 102.4 mm / 4.031 inch;  
Inaltime: 23.9 mm / 0.941 inch;  
Adancime: 22.75 mm / 0.896 inch;  
Design: angled;  
Tip contact (pluggable connector): Conector mama/priza;  
Connector (connection type): for conductors;  
Mismatching protection: Yes;  
Culoare: light gray;  
Material group: I;  
Material izolator: Polyamide 66 (PA 66);  
Flammability class per UL94: V0;  
Clamping spring material: Chrome nickel spring steel (CrNi);  
Contact material: Copper alloy;  
Contact plating: tin-plated;  
Fire load: 0,61; MJ  
Greutate: 37,5; g  
Temperatura lucru: -60 ... +85 °C;  
Product Group: 3 (Multi Conn. System);  
Tip ambalare: BOX;  
Tara de origine: PL;  
GTIN: 4045454472184;  
Customs tariff number: 85366990990;  
Pret: 75,77 lei (TVA inclus)

Detalii online: <https://www.materialelectrice.ro/1-conductor-female-plug-angled-100-protected-against-mismatching-2-50-mm2-light-gray-134567>