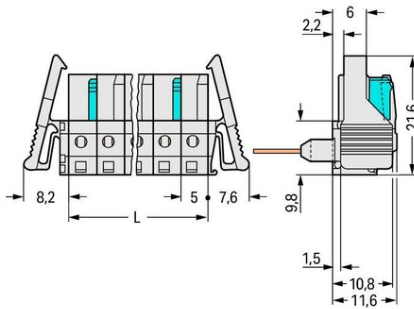


Furnizor: **Sc Trivolt Distribution SRL**  
Reg. com.: J23/3300/2016  
CIF: RO36421140  
Adresa: Strada Apusului nr 3 ( primul  
sens giratoriu Tehodor Pallady-  
Autostrada Soarelui), Catelu, Ilfov  
Banca: BRD  
IBAN: RO34BRDE441SV13182234410



**WAGO FEMALE CONNECTOR FOR RAIL-MOUNT TERMINAL BLOCKS;  
0.6 X 1 MM PINS; ANGLED; 100% PROTECTED AGAINST MISMATING;  
LOCKING LEVER; PIN SPACING 5 MM; 11-POLE; LIGHT GRAY**

Ratings per: IEC/EN 60664-1;  
Tensiune nominala (III/3): 320; V  
Tensiune nominala de supratensiune (III/3): 4; kV  
Tensiune nominala (III/2): 320; V  
Tensiune nominala de supratensiune (III/2): 4; kV  
Tensiune nominala (II/2): 630; V  
Tensiune nominala de supratensiune (II/2): 4; kV  
Curent nominal: 12; A  
Legend (ratings): (III / 2)  $\hat{a}$ %<sup>o</sup>™ Overvoltage category III / Pollution degree 2;  
Tensiune nominala UL (Use Group B): 300; V  
Curent nominal UL (Use Group B): 15; A  
Tensiune nominala UL (Use Group D): 300; V  
Curent nominal UL (Use Group D): 10; A  
Certificari: UL 1059;  
Tensiune nominala UL 1977: 600; V  
Curent nominal UL 1977: 15; A  
Tensiune nominala CSA (Use Group B): 300; V  
Curent nominal CSA (Use Group B): 15; A  
Tensiune nominala CSA (Use Group D): 300; V  
Curent nominal CSA (Use Group D): 10; A  
Numar poli: 11;  
Total number of potentials: 11;  
Numar tipuri de conexiuni: 1;  
Numar nivele: 1;  
Distanta intre pini: 5 mm / 0.197 inch;  
Latime: 70.8 mm / 2.787 inch;  
Inaltime: 26.1 mm / 1.028 inch;  
Inaltime de la fata: 11.6 mm / 0.457 inch;  
Adancime: 18.25 mm / 0.719 inch;  
Tip contact (pluggable connector): Conector mama/priza;  
Connector (connection type): for front-entry wiring terminal block;  
Mismating protection: Yes;  
Locking of plug-in connection: locking lever;  
Mating direction to the rail-mount terminal block: 0; °  
Culoare: light gray;  
Material group: I;  
Material izolator: Polyamide 66 (PA 66);  
Flammability class per UL94: V0;  
Contact material: Copper alloy;  
Contact plating: tin-plated;  
Fire load: 0,22; MJ  
Greutate: 12,5; g  
Temperatura lucru: -60 ... +85 °C;  
Product Group: 3 (Multi Conn. System);  
Tip ambalare: BOX;  
Tara de origine: DE;  
GTIN: 4045454938000;  
Customs tariff number: 85366990990;  
Pret: 50,05 lei (TVA inclus)

Detalii online: <https://www.materialelectrice.ro/female-connector-for-rail-mount-terminal-blocks-0-6-x-1-mm-pins-angled-100-protected-against-mismating-locking-lever-pin-spacing-5-mm-11-pole-light-gray-134552>