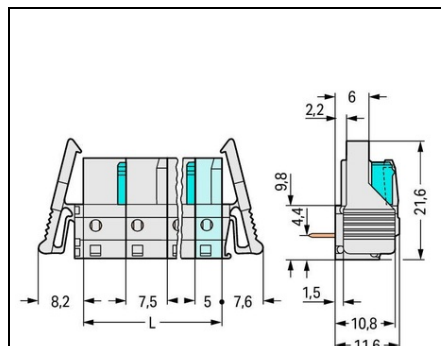


Furnizor: **Sc Trivolt Distribution SRL**
 Reg. com.: J23/3300/2016
 CIF: RO36421140
 Adresa: Strada Apusului nr 3 (primul
 sens giratoriu Tehodor Pallady-
 Autostrada Soarelui), Catelu, Ilfov
 Banca: BRD
 IBAN: RO34BRDE441SV13182234410



**WAGO THT FEMALE HEADER; 0.6 X 1.0 MM SOLDER PIN; ANGLED;
 100% PROTECTED AGAINST MISMATING; LOCKING LEVER; PIN
 SPACING 7.5 MM; 9-POLE; LIGHT GRAY**

Ratings per: IEC/EN 60664-1;
 Tensiune nominala (III/3): 500; V
 Tensiune nominala de supratensiune (III/3): 6; kV
 Tensiune nominala (III/2): 630; V
 Tensiune nominala de supratensiune (III/2): 6; kV
 Tensiune nominala (II/2): 1000; V
 Tensiune nominala de supratensiune (II/2): 6; kV
 Curent nominal: 12; A
 Legend (ratings): (III / 2) $\hat{=}$ Overvoltage category III / Pollution degree 2;
 Tensiune nominala UL (Use Group B): 300; V
 Curent nominal UL (Use Group B): 15; A
 Tensiune nominala UL (Use Group D): 300; V
 Curent nominal UL (Use Group D): 10; A
 Certificari: UL 1059;
 Tensiune nominala UL 1977: 600; V
 Curent nominal UL 1977: 15; A
 Tensiune nominala CSA (Use Group B): 300; V
 Curent nominal CSA (Use Group B): 15; A
 Tensiune nominala CSA (Use Group D): 300; V
 Curent nominal CSA (Use Group D): 10; A
 Numar poli: 9;
 Total number of potentials: 9;
 Numar tipuri de conexiuni: 1;
 Numar nivele: 1;
 Distanta intre pini: 7.5 mm / 0.295 inch;
 Latime: 80.8 mm / 3.181 inch;
 Inaltime: 16.6 mm / 0.654 inch;
 Inaltime de la fata: 11.6 mm / 0.457 inch;
 Adancime: 18.25 mm / 0.719 inch;
 Lungimea pinului de contact: 5; mm
 Solder pin dimensions: 0.6 x 1 mm;
 Diametrul de gaurire cu toleranta: 1.3 (+0.1) mm;
 Tip contact (pluggable connector): Conector mama/priza;
 Connector (connection type): for PCBs;
 Mismatching protection: Yes;
 Mating direction to the PCB: 0; °
 Locking of plug-in connection: locking lever;
 PCB contact: THT;
 Solder pin arrangement: over the entire female connector, in line;
 Number of solder pins per potential: 1;
 Culoare: light gray;
 Material group: I;
 Material izolator: Polyamide 66 (PA 66);
 Flammability class per UL94: V0;
 Contact material: Copper alloy;
 Contact plating: tin-plated;
 Fire load: 0,212; MJ
 Greutate: 10,8; g
 Temperatura lucru: -60 ... +85 °C;
 Product Group: 3 (Multi Conn. System);
 Tip ambalare: BOX;
 Tara de origine: DE;
 GTIN: 4050821074250;
 Customs tariff number: 85366990990;
 Pret: 28,83 lei (TVA inclus)

Detalii online: <https://www.materialelectrice.ro/tht-female-header-0-6-x-1-0-mm-solder-pin-angled-100-protected-against-mismatching-locking-lever-pin-spacing-7-5-mm-9-pole-light-gray-134456>