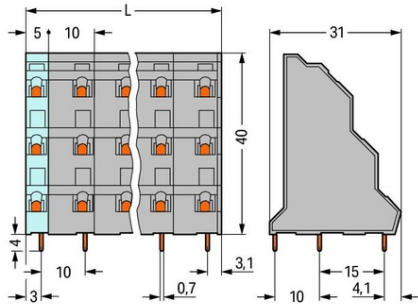


Furnizor: **Sc Trivolt Distribution SRL**
 Reg. com.: J23/3300/2016
 CIF: RO36421140
 Adresa: Strada Apusului nr 3 (primul
 sens giratoriu Tehodor Pallady-
 Autostrada Soarelui), Catelu, Ilfov
 Banca: BRD
 IBAN: RO34BRDE441SV13182234410



**WAGO TRIPLE-DECK PCB TERMINAL BLOCK; 2.5 MM²; PIN
 SPACING 10 MM; 3 X 4-POLE; CAGE CLAMP®; 2,50 MM²; GRAY**

Ratings per: IEC/EN 60664-1;
 Ratings (note): between the modules;
 Tensiune nominala (III/3): 630; V
 Tensiune nominala de supratensiune (III/3): 8; kV
 Tensiune nominala (III/2): 1000; V
 Tensiune nominala de supratensiune (III/2): 8; kV
 Tensiune nominala (II/2): 1000; V
 Tensiune nominala de supratensiune (II/2): 8; kV
 Curent nominal: 21; A
 Ratings per: IEC/EN 60664-1;
 Ratings (note) 2: between the decks;
 Tensiune nominala (III/3) 2: 320; V
 Tensiune nominala de supratensiune (III/3) 2: 4; kV
 Tensiune nominala (III/2) 2: 320; V
 Tensiune nominala de supratensiune (III/2) 2: 4; kV
 Tensiune nominala (II/2) 2: 630; V
 Tensiune nominala de supratensiune (II/2) 2: 4; kV
 Curent nominal 2: 21; A
 Legend (ratings): (III / 2) \hat{a} %™ Overvoltage category III / Pollution degree 2;
 Tensiune nominala UL (Use Group B): 300; V
 Curent nominal UL (Use Group B): 10; A
 Tensiune nominala UL (Use Group D): 300; V
 Curent nominal UL (Use Group D): 10; A
 Certificari: UL 1059;
 Tensiune nominala CSA (Use Group B): 300; V
 Curent nominal CSA (Use Group B): 10; A
 Tensiune nominala CSA (Use Group D): 300; V
 Curent nominal CSA (Use Group D): 10; A
 Tehnologie conexiune: CAGE CLAMP®;
 Tip actionare: Operating tool;
 Solid conductor: 0,08 ... 2,5 mm² / 28 ... 12 AWG;
 Fine-stranded conductor: 0,08 ... 2,5 mm² / 28 ... 12 AWG;
 Fine-stranded conductor; with insulated ferrule: 0,25 ... 1,5 mm²;
 Fine-stranded conductor; with uninsulated ferrule: 0,25 ... 2,5 mm²;
 Strip length: 5 ... 6 mm / 0.2 ... 0.24 inch;
 Conductor connection direction to PCB: 45; °
 Numar poli: 4;
 Numar total de conexiuni: 12;
 Total number of potentials: 12;
 Numar tipuri de conexiuni: 1;
 Numar nivele: 3;
 Note (conductor cross-section): 12 AWG: THHN, THWN;
 Distanta intre pini: 10 mm / 0.394 inch;
 Latime: 36 mm / 1.417 inch;
 Inaltime: 44 mm / 1.732 inch;
 Inaltime de la fata: 40 mm / 1.575 inch;
 Adancime: 31 mm / 1.22 inch;
 Lungimea pinului de contact: 4; mm
 Solder pin dimensions: 0,7 x 0,7 mm;
 Diametrul de gaurire cu toleranta: 1,3 (+0,1) mm;
 PCB contact: THT;
 Solder pin arrangement: within the terminal block (in-line);
 Number of solder pins per potential: 1;
 Culoare: gray;
 Material group: I;
 Material izolator: Polyamide 66 (PA 66);
 Flammability class per UL94: V0;
 Clamping spring material: Chrome nickel spring steel (CrNi);
 Contact material: Cupru electrolitic (ECu);
 Contact plating: tin-plated;
 Fire load: 0,369; MJ
 Greutate: 20,9; g
 Temperatura lucru: -60 ... +105 °C;
 Product Group: 4 (Printed Circuit);
 Tip ambalare: BOX;
 Tara de origine: PL;
 GTIN: 4045454018726;
 Customs tariff number: 85369010000;
 Pret: 35,05 lei (TVA inclus)

Detalii online: <https://www.materialelectrice.ro/triple-deck-pcb-terminal-block-2-5-mm2-pin-spacing-10-mm-3-x-4-pole-cage-clamp-2-50-mm2-gray-133768>