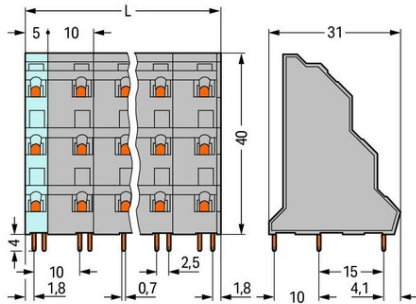


Furnizor: **Sc Trivolt Distribution SRL**  
Reg. com.: J23/3300/2016  
CIF: RO36421140  
Adresa: Strada Apusului nr 3 ( primul  
sens giratoriu Tehodor Pallady-  
Autostrada Soarelui), Catelu, Ilfov  
Banca: BRD  
IBAN: RO34BRDE441SV13182234410



**WAGO TRIPLE-DECK PCB TERMINAL BLOCK; 2.5 MM<sup>2</sup>; PIN  
SPACING 10 MM; 3 X 12-POLE; CAGE CLAMP<sup>®</sup>; 2.50 MM<sup>2</sup>; GRAY**

Ratings per: IEC/EN 60664-1;  
Ratings (note): between the modules;  
Tensiune nominala (III/3): 630; V  
Tensiune nominala de supratensiune (III/3): 8; kV  
Tensiune nominala (III/2): 1000; V  
Tensiune nominala de supratensiune (III/2): 8; kV  
Tensiune nominala (II/2): 1000; V  
Tensiune nominala de supratensiune (II/2): 8; kV  
Curent nominal: 21; A  
Ratings per: IEC/EN 60664-1;  
Ratings (note) 2: between the decks;  
Tensiune nominala (III/3) 2: 320; V  
Tensiune nominala de supratensiune (III/3) 2: 4; kV  
Tensiune nominala (III/2) 2: 320; V  
Tensiune nominala de supratensiune (III/2) 2: 4; kV  
Tensiune nominala (II/2) 2: 630; V  
Tensiune nominala de supratensiune (II/2) 2: 4; kV  
Curent nominal 2: 21; A  
Legend (ratings): (III / 2)  $\hat{a}\%$ ™ Overvoltage category III / Pollution degree 2;  
Tensiune nominala UL (Use Group B): 300; V  
Curent nominal UL (Use Group B): 10; A  
Tensiune nominala UL (Use Group D): 300; V  
Curent nominal UL (Use Group D): 10; A  
Certificari: UL 1059;  
Tensiune nominala CSA (Use Group B): 300; V  
Curent nominal CSA (Use Group B): 10; A  
Tensiune nominala CSA (Use Group D): 300; V  
Curent nominal CSA (Use Group D): 10; A  
Tehnologie conexiune: CAGE CLAMP<sup>®</sup>;  
Tip actionare: Operating tool;  
Solid conductor: 0,08 ... 2,5 mm<sup>2</sup> / 28 ... 12 AWG;  
Fine-stranded conductor: 0,08 ... 2,5 mm<sup>2</sup> / 28 ... 12 AWG;  
Fine-stranded conductor; with insulated ferrule: 0,25 ... 1,5 mm<sup>2</sup>;  
Fine-stranded conductor; with uninsulated ferrule: 0,25 ... 2,5 mm<sup>2</sup>;  
Strip length: 5 ... 6 mm / 0.2 ... 0.24 inch;  
Conductor connection direction to PCB: 45; °  
Numar poli: 12;  
Numar total de conexiuni: 36;  
Total number of potentials: 36;  
Numar tipuri de conexiuni: 1;  
Numar nivele: 3;  
Note (conductor cross-section): 12 AWG: THHN, THWN;  
Distanta intre pini: 10 mm / 0.394 inch;  
Latime: 116 mm / 4.567 inch;  
Inaltime: 44 mm / 1.732 inch;  
Inaltime de la fata: 40 mm / 1.575 inch;  
Adancime: 31 mm / 1.22 inch;  
Lungimea pinului de contact: 4; mm  
Solder pin dimensions: 0,7 x 0,7 mm;  
Diametrul de gaurire cu toleranta: 1,3 (+0,1) mm;  
PCB contact: THT;  
Solder pin arrangement: within the terminal block (staggered);  
Number of solder pins per potential: 1;  
Culoare: gray;  
Material group: I;  
Material izolator: Polyamide 66 (PA 66);  
Flammability class per UL94: V0;  
Clamping spring material: Chrome nickel spring steel (CrNi);  
Contact material: Cupru electrolitic (ECu);  
Contact plating: tin-plated;  
Fire load: 1,233; MJ  
Greutate: 69,2; g  
Temperatura lucru: -60 ... +105 °C;  
Product Group: 4 (Printed Circuit);  
Tip ambalare: BOX;  
Tara de origine: PL;  
GTIN: 4045454019860;  
Customs tariff number: 85369010000;  
Pret: 97,28 lei (TVA inclus)

Detalii online: <https://www.materialelectrice.ro/triple-deck-pcb-terminal-block-2-5-mm2-pin-spacing-10-mm-3-x-12-pole-cage-clamp-2-50-mm2-gray-133758>