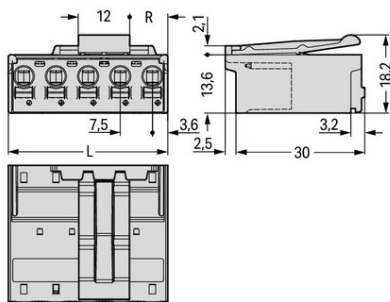


Furnizor: **Sc Trivolt Distribution SRL**
 Reg. com.: J23/3300/2016
 CIF: RO36421140
 Adresa: Strada Apusului nr 3 (primul
 sens giratoriu Tehodor Pallady-
 Autostrada Soarelui), Catelu, Ilfov
 Banca: BRD
 IBAN: RO34BRDE441SV13182234410



**WAGO 1-CONDUCTOR MALE CONNECTOR; GRIPPING PLATE; 2.5
 MM²; PIN SPACING 7.5 MM; 5-POLE; 2,50 MM²; LIGHT GRAY**

Ratings per: IEC/EN 60664-1;
 Tensiune nominala (III/3): 400; V
 Tensiune nominala de supratensiune (III/3): 6; kV
 Tensiune nominala (III/2): 630; V
 Tensiune nominala de supratensiune (III/2): 6; kV
 Tensiune nominala (II/2): 1000; V
 Tensiune nominala de supratensiune (II/2): 6; kV
 Curent nominal: 16; A
 Legend (ratings): (III / 2) \hat{a} %TM Overvoltage category III / Pollution degree 2;
 Tensiune nominala UL (Use Group B): 300; V
 Curent nominal UL (Use Group B): 15; A
 Tensiune nominala UL (Use Group D): 300; V
 Curent nominal UL (Use Group D): 10; A
 Certificari: UL 1059;
 Tehnologie conexiune: Push-in CAGE CLAMP®;
 Tip actionare: Push-button;
 Solid conductor: 0,2 ... 2,5 mm² / 24 ... 12 AWG;
 Fine-stranded conductor: 0,2 ... 2,5 mm² / 24 ... 12 AWG;
 Fine-stranded conductor; with insulated ferrule: 0,25 ... 1,5 mm²;
 Fine-stranded conductor; with uninsulated ferrule: 0,25 ... 2,5 mm²;
 Strip length: 9 ... 10 mm / 0.35 ... 0.39 inch;
 Numar poli: 5;
 Numar total de conexiuni: 5;
 Total number of potentials: 5;
 Numar tipuri de conexiuni: 1;
 Numar nivele: 1;
 Distanta intre pini: 7,5 mm / 0.295 inch;
 Latime: 37,2 mm / 1.465 inch;
 Inaltime: 18,2 mm / 0.717 inch;
 Adancime: 32,6 mm / 1.283 inch;
 Design: With gripping plate;
 Tip contact (pluggable connector): Conector tata/fisa;
 Connector (connection type): for conductor;
 Mismatching protection: No;
 Locking of plug-in connection: Locking latch;
 Culoare: light gray;
 Material group: I;
 Material izolator: Polyphthalamide (PPA GF);
 Flammability class per UL94: V0;
 Clamping spring material: Chrome nickel spring steel (CrNi);
 Contact material: Cupru electrolitic (ECu);
 Contact plating: tin-plated;
 Fire load: 0,3; MJ
 Greutate: 12,4; g
 Temperatura lucru: -60 ... +100 °C;
 Product Group: 26 (picoMAX);
 Tip ambalare: BOX;
 Tara de origine: DE;
 GTIN: 4050821164869;
 Customs tariff number: 85366990990;
 Pret: 22,80 lei (TVA inclus)

Detalii online: <https://www.materialelectrice.ro/1-conductor-male-connector-gripping-plate-2-5-mm2-pin-spacing-7-5-mm-5-pole-2-50-mm2-light-gray-133133>