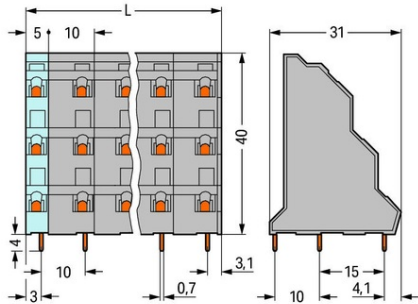


Furnizor: **Sc Trivolt Distribution SRL**
Reg. com.: J23/3300/2016
CIF: RO36421140
Adresa: Strada Apusului nr 3 (primul
sens giratoriu Tehodor Pallady-
Autostrada Soarelui), Catelu, Ilfov
Banca: BRD
IBAN: RO34BRDE441SV13182234410



**WAGO TRIPLE-DECK PCB TERMINAL BLOCK; 2.5 MM²; PIN
SPACING 10 MM; 3 X 12-POLE; CAGE CLAMP®; 2.50 MM²; GRAY**

Ratings per: IEC/EN 60664-1;
Ratings (note): between the modules;
Tensiune nominala (III/3): 630; V
Tensiune nominala de supratensiune (III/3): 8; kV
Tensiune nominala (III/2): 1000; V
Tensiune nominala de supratensiune (III/2): 8; kV
Tensiune nominala (II/2): 1000; V
Tensiune nominala de supratensiune (II/2): 8; kV
Curent nominal: 21; A
Ratings per: IEC/EN 60664-1;
Ratings (note) 2: between the decks;
Tensiune nominala (III/3) 2: 320; V
Tensiune nominala de supratensiune (III/3) 2: 4; kV
Tensiune nominala (III/2) 2: 320; V
Tensiune nominala de supratensiune (III/2) 2: 4; kV
Tensiune nominala (II/2) 2: 630; V
Tensiune nominala de supratensiune (II/2) 2: 4; kV
Curent nominal 2: 21; A
Legend (ratings): (III / 2) \hat{a} %™ Overvoltage category III / Pollution degree 2;
Tensiune nominala UL (Use Group B): 300; V
Curent nominal UL (Use Group B): 10; A
Tensiune nominala UL (Use Group D): 300; V
Curent nominal UL (Use Group D): 10; A
Certificari: UL 1059;
Tensiune nominala CSA (Use Group B): 300; V
Curent nominal CSA (Use Group B): 10; A
Tensiune nominala CSA (Use Group D): 300; V
Curent nominal CSA (Use Group D): 10; A
Tehnologie conexiune: CAGE CLAMP®;
Tip actionare: Operating tool;
Solid conductor: 0,08 ... 2,5 mm² / 28 ... 12 AWG;
Fine-stranded conductor: 0,08 ... 2,5 mm² / 28 ... 12 AWG;
Fine-stranded conductor; with insulated ferrule: 0,25 ... 1,5 mm²;
Fine-stranded conductor; with uninsulated ferrule: 0,25 ... 2,5 mm²;
Strip length: 5 ... 6 mm / 0.2 ... 0.24 inch;
Conductor connection direction to PCB: 45; °
Numar poli: 12;
Numar total de conexiuni: 36;
Total number of potentials: 36;
Numar tipuri de conexiuni: 1;
Numar nivele: 3;
Note (conductor cross-section): 12 AWG: THHN, THWN;
Distanta intre pini: 10 mm / 0.394 inch;
Latime: 116 mm / 4.567 inch;
Inaltime: 44 mm / 1.732 inch;
Inaltime de la fata: 40 mm / 1.575 inch;
Adancime: 31 mm / 1.22 inch;
Lungimea pinului de contact: 4; mm
Solder pin dimensions: 0,7 x 0,7 mm;
Diametrul de gaurire cu toleranta: 1,3 (+0,1) mm;
PCB contact: THT;
Solder pin arrangement: within the terminal block (in-line);
Number of solder pins per potential: 1;
Culoare: gray;
Material group: I;
Material izolator: Polyamide 66 (PA 66);
Flammability class per UL94: V0;
Clamping spring material: Chrome nickel spring steel (CrNi);
Contact material: Cupru electrolitic (ECu);
Contact plating: tin-plated;
Fire load: 1,137; MJ
Greutate: 63,8; g
Temperatura lucru: -60 ... +105 °C;
Product Group: 4 (Printed Circuit);
Tip ambalare: BOX;
Tara de origine: PL;
GTIN: 4045454018757;
Customs tariff number: 85369010000;
Pret: 97,31 lei (TVA inclus)

Detalii online: <https://www.materialelectrice.ro/triple-deck-pcb-terminal-block-2-5-mm2-pin-spacing-10-mm-3-x-12-pole-cage-clamp-2-50-mm2-gray-133077>