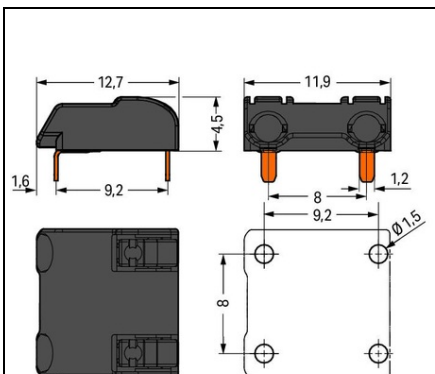


Furnizor: **Sc Trivolt Distribution SRL**  
Reg. com.: J23/3300/2016  
CIF: RO36421140  
Adresa: Strada Apusului nr 3 ( primul  
sens giratoriu Tehodor Pallady-  
Autostrada Soarelui), Catelu, Ilfov  
Banca: BRD  
IBAN: RO34BRDE441SV13182234410



**WAGO THR PCB TERMINAL BLOCK; PUSH-BUTTON; 0.75 MM<sup>2</sup>; PIN  
SPACING 8 MM; 2-POLE; PUSH-IN CAGE CLAMP®; IN TAPE-AND-  
REEL PACKAGING; 0.75 MM<sup>2</sup>; BLACK**

Ratings per: IEC/EN 60664-1;  
Tensiune nominala (III/3): 400; V  
Tensiune nominala de supratensiune (III/3): 6; kV  
Tensiune nominala (III/2): 630; V  
Tensiune nominala de supratensiune (III/2): 6; kV  
Tensiune nominala (II/2): 1000; V  
Tensiune nominala de supratensiune (II/2): 6; kV  
Curent nominal: 9; A  
Legend (ratings): (III / 2)  $\hat{\%}$ ™ Overvoltage category III / Pollution degree 2;  
Certificari: UL 1059;  
Tehnologie conexiune: Push-in CAGE CLAMP®;  
Tip actionare: Push-button;  
Solid conductor: 0,2 ... 0,75 mm<sup>2</sup> / 24 ... 18 AWG;  
Fine-stranded conductor: 0,2 ... 0,75 mm<sup>2</sup> / 24 ... 18 AWG;  
Fine-stranded conductor; with insulated ferrule: 0,25 ... 0,34 mm<sup>2</sup>;  
Fine-stranded conductor; with uninsulated ferrule: 0,25 ... 0,34 mm<sup>2</sup>;  
Strip length: 6 ... 7 mm / 0.24 ... 0.28 inch;  
Conductor connection direction to PCB: 0; °  
Numar poli: 2;  
Numar total de conexiuni: 2;  
Total number of potentials: 2;  
Numar tipuri de conexiuni: 1;  
Numar nivele: 1;  
Distanta intre pini: 8 mm / 0.314 inch;  
Latime: 11,9 mm / 0.467 inch;  
Inaltime: 6,9 mm / 0.272 inch;  
Inaltime de la fata: 4,5 mm / 0.177 inch;  
Adancime: 12,7 mm / 0.5 inch;  
Lungimea pinului de contact: 2,4; mm  
Solder pin dimensions: 1,2 x 0,75 mm;  
Diametru placat prin gaura (THR): 1,5 (+0,1) mm;  
Reel diameter of tape-and-reel packaging: 330; mm  
Tape Latime: 24; mm  
PCB contact: THR;  
Solder pin arrangement: over the entire terminal strip (in-line);  
Number of solder pins per potential: 2;  
Culoare: black;  
Material group: I;  
Material izolator: Polyphthalamide (PPA GF);  
Flammability class per UL94: V0;  
Clamping spring material: Chrome nickel spring steel (CrNi);  
Contact material: Copper alloy;  
Contact plating: tin-plated;  
Greutate: 0,6; g  
Temperatura lucru: -60 ... +105 °C;  
Tip ambalare: BOX;  
Tara de origine: CH;  
GTIN: 4055143342643;  
Customs tariff number: 85369010000;  
Pret: 4,35 lei (TVA inclus)

Detalii online: <https://www.materialeelectrice.ro/thr-pcb-terminal-block-push-button-0-75-mm2-pin-spacing-8-mm-2-pole-push-in-cage-clamp-in-tape-and-reel-packaging-0-75-mm2-black-133004>