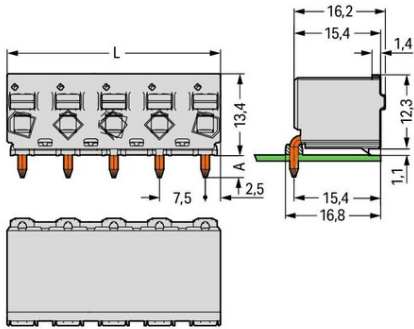


Furnizor: **Sc Trivolt Distribution SRL**  
Reg. com.: J23/3300/2016  
CIF: RO36421140  
Adresa: Strada Apusului nr 3 ( primul  
sens giratoriu Tehodor Pallady-  
Autostrada Soarelui), Catelu, Ilfov  
Banca: BRD  
IBAN: RO34BRDE441SV13182234410



**WAGO 1-CONDUCTOR THR FEMALE HEADER; 1.4 MM Å~ SOLDER  
PIN; ANGLED; 2.5 MMÅ²; PIN SPACING 7.5 MM; 2-POLE; 2,50 MMÅ²;  
LIGHT GRAY**

Ratings per: IEC/EN 60664-1;  
Tensiune nominala (III/3): 400; V  
Tensiune nominala de supratensiune (III/3): 6; kV  
Tensiune nominala (III/2): 320; V  
Tensiune nominala de supratensiune (III/2): 4; kV  
Tensiune nominala (II/2): 630; V  
Tensiune nominala de supratensiune (II/2): 4; kV  
Curent nominal: 16; A  
Legend (ratings): (III / 2) â‰‰™ Overvoltage category III / Pollution degree 2;  
Tensiune nominala UL (Use Group B): 300; V  
Curent nominal UL (Use Group B): 15; A  
Tensiune nominala UL (Use Group D): 300; V  
Curent nominal UL (Use Group D): 10; A  
Certificari: UL 1059;  
Tehnologie conexiune: Push-in CAGE CLAMP®;  
Tip actionare: Push-button;  
Solid conductor: 0,2 ... 2,5 mm² / 24 ... 12 AWG;  
Fine-stranded conductor: 0,2 ... 2,5 mm² / 24 ... 12 AWG;  
Fine-stranded conductor; with insulated ferrule: 0,25 ... 1,5 mm²;  
Fine-stranded conductor; with uninsulated ferrule: 0,25 ... 2,5 mm²;  
Strip length: 9 ... 10 mm / 0.35 ... 0.39 inch;  
Conductor connection direction to PCB: 0; °  
Numar poli: 2;  
Numar total de conexiuni: 2;  
Total number of potentials: 2;  
Numar tipuri de conexiuni: 1;  
Numar nivele: 1;  
Distanța între pini: 7,5 mm / 0.295 inch;  
Latime: 12,5 mm / 0.492 inch;  
Inaltime: 13,4 mm / 0.528 inch;  
Adancime: 16,2 mm / 0.638 inch;  
Lungimea pinului de contact: 2,4; mm  
Diametrul pinului de contact: 1,4; mm  
Diametru placat prin gaura (THR): 1,6 (+0,1) mm;  
Tip contact (pluggable connector): Conector mama/priza;  
Connector (connection type): for PCB;  
Mismatching protection: No;  
Mating direction to the PCB: 0; °  
PCB contact: THR;  
Culoare: light gray;  
Material group: I;  
Material izolator: Polyphthalamide (PPA GF);  
Flammability class per UL94: V0;  
Clamping spring material: Chrome nickel spring steel (CrNi);  
Contact material: Cupru electrolitic(ECu);  
Contact plating: tin-plated;  
Fire load: 0,057; MJ  
Greutate: 2,7; g  
Temperatura lucru: -60 ... +100 °C;  
Tip ambalare: BOX;  
Tara de origine: DE;  
GTIN: 4055143910002;  
Customs tariff number: 85366990990;  
Pret: 7,40 lei (TVA inclus)

Detalii online: <https://www.materialelectrice.ro/1-conductor-thr-female-header-1-4-mm-oe-solder-pin-angled-2-5-mm2-pin-spacing-7-5-mm-2-pole-2-50-mm2-light-gray-132203>