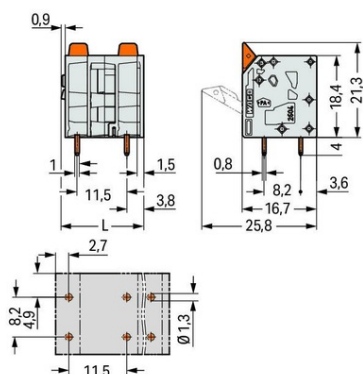


Furnizor: **Sc Trivolt Distribution SRL**  
 Reg. com.: J23/3300/2016  
 CIF: RO36421140  
 Adresa: Strada Apusului nr 3 ( primul  
 sens giratoriu Tehodor Pallady-  
 Autostrada Soarelui), Catelu, Ilfov  
 Banca: BRD  
 IBAN: RO34BRDE441SV13182234410



**WAGO PCB TERMINAL BLOCK; LEVER; 4 MM<sup>2</sup>; PIN SPACING 11.5 MM; 7-POLE; PUSH-IN CAGE CLAMP®; 4,00 MM<sup>2</sup>; GRAY**

Ratings per: IEC/EN 60664-1;  
 Tensiune nominala (III/3): 1000; V  
 Tensiune nominala de supratensiune (III/3): 8; kV  
 Tensiune nominala (III/2): 1000; V  
 Tensiune nominala de supratensiune (III/2): 8; kV  
 Tensiune nominala (II/2): 1000; V  
 Tensiune nominala de supratensiune (II/2): 8; kV  
 Curent nominal: 32; A  
 Legend (ratings): (III / 2)  $\hat{a}$ %™ Overvoltage category III / Pollution degree 2;  
 Tensiune nominala UL (Use Group B): 600; V  
 Curent nominal UL (Use Group B): 20; A  
 Tensiune nominala UL (Use Group C): 600; V  
 Curent nominal UL (Use Group C): 20; A  
 Certificari: UL 1059;  
 Tehnologie conexiune: Push-in CAGE CLAMP®;  
 Tip actionare: Lever;  
 Solid conductor: 0,2 ... 4 mm<sup>2</sup> / 24 ... 12 AWG;  
 Fine-stranded conductor: 0,2 ... 4 mm<sup>2</sup> / 24 ... 12 AWG;  
 Fine-stranded conductor; with insulated ferrule: 0,25 ... 2,5 mm<sup>2</sup>;  
 Fine-stranded conductor; with uninsulated ferrule: 0,25 ... 2,5 mm<sup>2</sup>;  
 Fine-stranded conductor; with twin ferrule: 0,25 ... 1,5 mm<sup>2</sup>;  
 Strip length: 9 ... 11 mm / 0.35 ... 0.43 inch;  
 Conductor connection direction to PCB: 90; °  
 Numar poli: 7;  
 Numar total de conexiuni: 7;  
 Total number of potentials: 7;  
 Numar tipuri de conexiuni: 1;  
 Numar nivele: 1;  
 Distanta intre pini: 11,5 mm / 0.453 inch;  
 Latime: 76,4 mm / 3.008 inch;  
 Inaltime: 25,3 mm / 0.996 inch;  
 Inaltime de la fata: 21,3 mm / 0.839 inch;  
 Adancime: 16,7 mm / 0.657 inch;  
 Lungimea pinului de contact: 4; mm  
 Solder pin dimensions: 0,8 x 1 mm;  
 Diametrul de gaurire cu toleranta: 1,3 (+0,1) mm;  
 PCB contact: THT;  
 Solder pin arrangement: over the entire terminal strip (in-line);  
 Number of solder pins per potential: 2;  
 Culoare: gray;  
 Material group: I;  
 Material izolator: Polyamide 66 (PA 66);  
 Flammability class per UL94: V0;  
 Clamping spring material: Chrome nickel spring steel (CrNi);  
 Contact material: Cupru electrolitic(ECu);  
 Contact plating: tin-plated;  
 Color of actuator: orange;  
 Greutate: 18,3; g  
 Temperatura lucru: -60 ... +105 °C;  
 Tip ambalare: BOX;  
 Tara de origine: DE;  
 GTIN: 4055143565035;  
 Customs tariff number: 85369010000;  
 Pret: 37,73 lei (TVA inclus)

Detalii online: <https://www.materialelectrice.ro/pcb-terminal-block-lever-4-mm2-pin-spacing-11-5-mm-7-pole-push-in-cage-clamp-4-00-mm2-gray-132158>