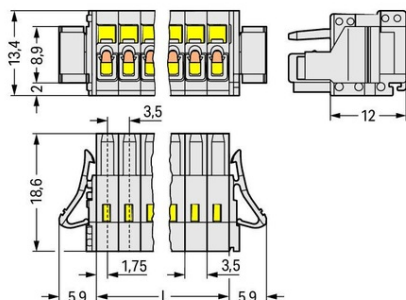


Furnizor: **Sc Trivolt Distribution SRL**  
Reg. com.: J23/3300/2016  
CIF: RO36421140  
Adresa: Strada Apusului nr 3 ( primul  
sens giratoriu Tehodor Pallady-  
Autostrada Soarelui), Catelu, Ilfov  
Banca: BRD  
IBAN: RO34BRDE441SV13182234410



**WAGO 1-CONDUCTOR FEMALE PLUG; 100% PROTECTED AGAINST  
MISMATING; LOCKING LEVER; STRAIN RELIEF PLATE; 1.5 MM<sup>2</sup>;  
PIN SPACING 3.5 MM; 14-POLE; 1.50 MM<sup>2</sup>; LIGHT GRAY**

Ratings per: IEC/EN 60664-1;  
Tensiune nominala (III/3): 160; V  
Tensiune nominala de supratensiune (III/3): 2,5; kV  
Tensiune nominala (III/2): 160; V  
Tensiune nominala de supratensiune (III/2): 2,5; kV  
Tensiune nominala (II/2): 320; V  
Tensiune nominala de supratensiune (II/2): 2,5; kV  
Curent nominal: 10; A  
Legend (ratings): (III / 2)  $\hat{a}$ %<sup>TM</sup> Overvoltage category III / Pollution degree 2;  
Tensiune nominala UL (Use Group B): 300; V  
Curent nominal UL (Use Group B): 10; A  
Tensiune nominala UL (Use Group D): 300; V  
Curent nominal UL (Use Group D): 10; A  
Certificari: UL 1059;  
Tensiune nominala CSA (Use Group B): 300; V  
Curent nominal CSA (Use Group B): 10; A  
Tensiune nominala CSA (Use Group D): 300; V  
Curent nominal CSA (Use Group D): 10; A  
Tehnologie conexiune: CAGE CLAMP®;  
Tip actionare: Operating tool;  
Solid conductor: 0.08 ... 1.5 mm<sup>2</sup> / 28 ... 14 AWG;  
Fine-stranded conductor: 0.08 ... 1.5 mm<sup>2</sup> / 28 ... 14 AWG;  
Fine-stranded conductor; with insulated ferrule: 0.25 ... 1.5 mm<sup>2</sup>;  
Fine-stranded conductor; with uninsulated ferrule: 0.25 ... 1.5 mm<sup>2</sup>;  
Strip length: 6 ... 7 mm / 0.24 ... 0.28 inch;  
Numar poli: 14;  
Numar total de conexiuni: 14;  
Total number of potentials: 14;  
Numar tipuri de conexiuni: 1;  
Numar nivele: 1;  
Note (conductor cross-section): Terminating 1.5 mm<sup>2</sup> conductors is possible; however insulation diameter does not allow clamping units to be terminated in a row.;  
Conductor entry direction to mating direction: 0; °  
Distanta intre pini: 3.5 mm / 0.138 inch;  
Latime: 60.8 mm / 2.394 inch;  
Inaltime: 13.4 mm / 0.528 inch;  
Adancime: 18.6 mm / 0.732 inch;  
Tip contact (pluggable connector): Conector mama/priza;  
Connector (connection type): for conductors;  
Mismating protection: Yes;  
Locking of plug-in connection: locking lever;  
Culoare: light gray;  
Material group: I;  
Material izolator: Polyamide 66 (PA 66);  
Flammability class per UL94: V0;  
Clamping spring material: Chrome nickel spring steel (CrNi);  
Contact material: Copper alloy;  
Contact plating: tin-plated;  
Fire load: 0,21; MJ  
Greutate: 12,3; g  
Temperatura lucru: -60 ... +100 °C;  
Tip ambalare: BOX;  
Tara de origine: DE;  
GTIN: 4050821413226;  
Customs tariff number: 85366990990;  
Pret: 53,93 lei (TVA inclus)

Detalii online: <https://www.materialelectrice.ro/1-conductor-female-plug-100-protected-against-mismating-locking-lever-strain-relief-plate-1-5-mm2-pin-spacing-3-5-mm-14-pole-1-50-mm2-light-gray-132121>