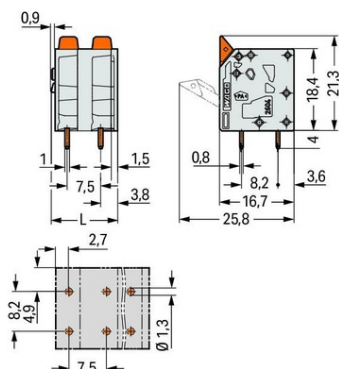


Furnizor: **Sc Trivolt Distribution SRL**  
Reg. com.: J23/3300/2016  
CIF: RO36421140  
Adresa: Strada Apusului nr 3 ( primul  
sens giratoriu Tehodor Pallady-  
Autostrada Soarelui), Catelu, Ilfov  
Banca: BRD  
IBAN: RO34BRDE441SV13182234410



**WAGO PCB TERMINAL BLOCK; LEVER; 4 MM<sup>2</sup>; PIN SPACING 7.5 MM; 11-POLE; PUSH-IN CAGE CLAMP®; 4.00 MM<sup>2</sup>; GRAY**

Ratings per: IEC/EN 60664-1;  
Tensiune nominala (III/3): 630; V  
Tensiune nominala de supratensiune (III/3): 6; kV  
Tensiune nominala (III/2): 630; V  
Tensiune nominala de supratensiune (III/2): 6; kV  
Tensiune nominala (II/2): 1000; V  
Tensiune nominala de supratensiune (II/2): 6; kV  
Curent nominal: 32; A  
Legend (ratings): (III / 2) %™ Overvoltage category III / Pollution degree 2;  
Tensiune nominala UL (Use Group B): 300; V  
Curent nominal UL (Use Group B): 20; A  
Tensiune nominala UL (Use Group C): 300; V  
Curent nominal UL (Use Group C): 20; A  
Tensiune nominala UL (Use Group D): 600; V  
Curent nominal UL (Use Group D): 5; A  
Certificari: UL 1059;  
Tehnologie conexiune: Push-in CAGE CLAMP®;  
Tip actionare: Lever;  
Solid conductor: 0,2 ... 4 mm<sup>2</sup> / 24 ... 12 AWG;  
Fine-stranded conductor: 0,2 ... 4 mm<sup>2</sup> / 24 ... 12 AWG;  
Fine-stranded conductor; with insulated ferrule: 0,25 ... 2,5 mm<sup>2</sup>;  
Fine-stranded conductor; with uninsulated ferrule: 0,25 ... 2,5 mm<sup>2</sup>;  
Fine-stranded conductor; with twin ferrule: 0,25 ... 1,5 mm<sup>2</sup>;  
Strip length: 9 ... 11 mm / 0.35 ... 0.43 inch;  
Conductor connection direction to PCB: 90; °  
Numar poli: 11;  
Numar total de conexiuni: 11;  
Total number of potentials: 11;  
Numar tipuri de conexiuni: 1;  
Numar nivele: 1;  
Distanta intre pini: 7,5 mm / 0.295 inch;  
Latime: 82,4 mm / 3.244 inch;  
Inaltime: 25,3 mm / 0.996 inch;  
Inaltime de la fata: 21,3 mm / 0.839 inch;  
Adancime: 16,7 mm / 0.657 inch;  
Lungimea pinului de contact: 4; mm  
Solder pin dimensions: 0,8 x 1 mm;  
Diametrul de gaurire cu toleranta: 1,3 (+0,1) mm;  
PCB contact: THT;  
Solder pin arrangement: over the entire terminal strip (in-line);  
Number of solder pins per potential: 2;  
Culoare: gray;  
Material group: I;  
Material izolator: Polyamide 66 (PA 66);  
Flammability class per UL94: V0;  
Clamping spring material: Chrome nickel spring steel (CrNi);  
Contact material: Cupru electrolitic(ECu);  
Contact plating: tin-plated;  
Color of actuator: orange;  
Greutate: 22; g  
Temperatura lucru: -60 ... +105 °C;  
Tip ambalare: BOX;  
Tara de origine: DE;  
GTIN: 4055143564953;  
Customs tariff number: 85369010000;  
Pret: 50,15 lei (TVA inclus)

Detalii online: <https://www.materialelectrice.ro/pcb-terminal-block-lever-4-mm2-pin-spacing-7-5-mm-11-pole-push-in-cage-clamp-4-00-mm2-gray-131960>