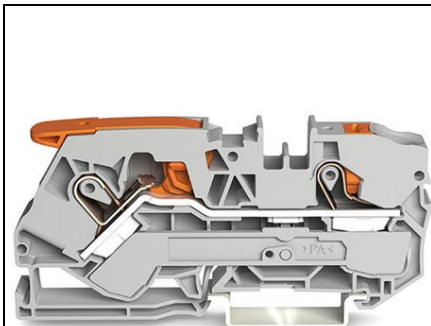


Furnizor: **Sc Trivolt Distribution SRL**
Reg. com.: J23/3300/2016
CIF: RO36421140
Adresa: Strada Apusului nr 3 (primul
sens giratoriu Tehodor Pallady-
Autostrada Soarelui), Catelu, Ilfov
Banca: BRD
IBAN: RO34BRDE441SV13182234410



WAGO 2-CONDUCTOR THROUGH TERMINAL BLOCK; WITH LEVER AND PUSH-BUTTON; 10 MM²; WITH TEST PORT; SUITABLE FOR EX I APPLICATIONS; SIDE AND CENTER MARKING; FOR DIN-RAIL 35 X 15 AND 35 X 7.5; PUSH-IN CAGE CLAMP®; 10,00 MM²; BLUE

Ratings per: IEC/EN 60947-7-1;
Tesiune nominala (III/3): 800; V
Tensiune nominala de supratensiune (III/3): 8; kV
Curent nominal: 57; A
Curent nominal 2: 74; A
Legend (ratings): (III / 3) %™ Overvoltage category III / Pollution degree 3;
Tehnologie conexiune: Push-in CAGE CLAMP®;
Tip actionare: Push-in; Operating tool;
Connectable conductor materials: Copper;
Nominal cross-section: 10 mm²;
Solid conductor: 0,5 ... 16 mm² / 20 ... 6 AWG;
Solid conductor; push-in termination: 4 ... 16 mm² / 14 ... 6 AWG;
Fine-stranded conductor: 0,5 ... 16 mm² / 20 ... 6 AWG;
Fine-stranded conductor; with insulated ferrule: 4 ... 10 mm² / 12 ... 8 AWG;
Fine-stranded conductor; with ferrule; push-in termination: 4 ... 10 mm² / 12 ... 8 AWG;
Strip length: 17 ... 19 mm / 0.67 ... 0.75 inch;
Numar total de conexiuni: 2;
Total number of potentials: 1;
Numar nivele: 1;
Wiring type: Front-entry wiring;
Note (conductor cross-section): Depending on the conductor characteristic, a conductor with a smaller cross-section can also be inserted via push-in termination;
Number of jumper slots: 2;
Latime: 10 mm / 0.394 inch;
Inaltime from upper-edge of DIN-rail: 36,9 mm / 1.453 inch;
Adancime: 89 mm / 3.504 inch;
Design: horizontal type;
Tip montaj: DIN-35 rail;
Marking level: Center/side marking;
Culoare: blue;
Material izolator: Polyamide 66 (PA 66);
Greutate: 25,7; g
Tip ambalare: BOX;
Tara de origine: PL;
GTIN: 4055143865418;
Customs tariff number: 85369010000;
Pret: 16,60 lei (TVA inclus)

Detalii online: <https://www.materialelectrice.ro/2-conductor-through-terminal-block-with-lever-and-push-button-10-mm2-with-test-port-suitable-for-ex-i-applications-side-and-center-marking-for-din-rail-35-x-15-and-35-x-7-5-push-in-cage-clamp-10-00-mm2-blue-131858>