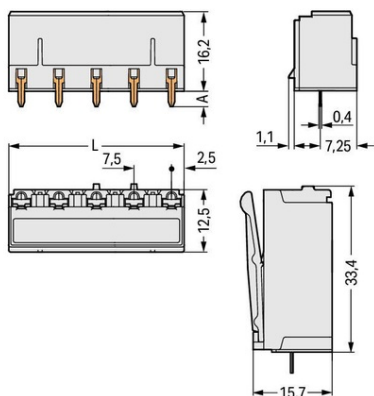


Furnizor: **Sc Trivolt Distribution SRL**
Reg. com.: J23/3300/2016
CIF: RO36421140
Adresa: Strada Apusului nr 3 (primul
sens giratoriu Tehodor Pallady-
Autostrada Soarelui), Catelu, Ilfov
Banca: BRD
IBAN: RO34BRDE441SV13182234410



**WAGO THT FEMALE HEADER; 0.4 X 1.3 MM SOLDER PIN; STRAIGHT;
PIN SPACING 7.5 MM; 4-POLE; LIGHT GRAY**

Ratings per: IEC/EN 60664-1;
Tensiune nominala (III/3): 400; V
Tensiune nominala de supratensiune (III/3): 6; kV
Tensiune nominala (III/2): 630; V
Tensiune nominala de supratensiune (III/2): 6; kV
Tensiune nominala (II/2): 1000; V
Tensiune nominala de supratensiune (II/2): 6; kV
Curent nominal: 16; A
Legend (ratings): (III / 2) \hat{a} %™ Overvoltage category III / Pollution degree 2;
Tensiune nominala UL (Use Group B): 300; V
Curent nominal UL (Use Group B): 15; A
Tensiune nominala UL (Use Group D): 300; V
Curent nominal UL (Use Group D): 10; A
Certificari: UL 1059;
Numar poli: 4;
Total number of potentials: 4;
Numar tipuri de conexiuni: 1;
Numar nivele: 1;
Distanta intre pini: 7,5 mm / 0.295 inch;
Latime: 27,5 mm / 1.083 inch;
Inaltime: 18,6 mm / 0.732 inch;
Inaltime de la fata: 16,2 mm / 0.638 inch;
Adancime: 13,6 mm / 0.535 inch;
Lungimea pinului de contact: 2,4; mm
Solder pin dimensions: 0,4 x 1,3 mm;
Diametru placat prin gaura (THR): 1,5 (+0,1) mm;
Tip contact (pluggable connector): Conector mama/priza;
Connector (connection type): for PCB;
Mismatching protection: No;
Mating direction to the PCB: 90; °
PCB contact: THR;
Culoare: light gray;
Material group: I;
Material izolator: Polyphthalamide (PPA GF);
Flammability class per UL94: V0;
Contact material: Copper alloy;
Contact plating: tin-plated;
Fire load: 0,123; MJ
Greutate: 4,7; g
Temperatura lucru: -60 ... +100 °C;
Tip ambalare: BOX;
Tara de origine: DE;
GTIN: 4050821396413;
Customs tariff number: 85366990990;
Pret: 15,76 lei (TVA inclus)

Detalii online: <https://www.materialelectrice.ro/tht-female-header-0-4-x-1-3-mm-solder-pin-straight-pin-spacing-7-5-mm-4-pole-light-gray-131771>