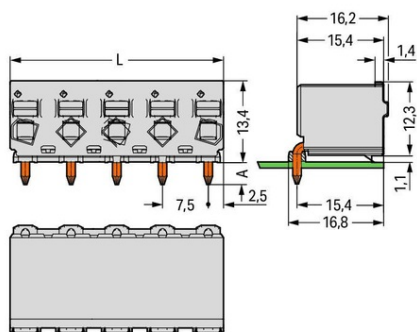


Furnizor: **Sc Trivolt Distribution SRL**  
 Reg. com.: J23/3300/2016  
 CIF: RO36421140  
 Adresa: Strada Apusului nr 3 ( primul  
 sens giratoriu Tehodor Pallady-  
 Autostrada Soarelui), Catelu, Ilfov  
 Banca: BRD  
 IBAN: RO34BRDE441SV13182234410



**WAGO 1-CONDUCTOR THR FEMALE HEADER; 1.4 MM Å~ SOLDER  
 PIN; ANGLED; 2.5 MMÅ²; PIN SPACING 7.5 MM; 4-POLE; 2,50 MMÅ²;  
 LIGHT GRAY**

Ratings per: IEC/EN 60664-1;  
 Tensiune nominala (III/3): 400; V  
 Tensiune nominala de supratensiune (III/3): 6; kV  
 Tensiune nominala (III/2): 320; V  
 Tensiune nominala de supratensiune (III/2): 4; kV  
 Tensiune nominala (II/2): 630; V  
 Tensiune nominala de supratensiune (II/2): 4; kV  
 Curent nominal: 16; A  
 Legend (ratings): (III / 2) â‰‰™ Overvoltage category III / Pollution degree 2;  
 Tensiune nominala UL (Use Group B): 300; V  
 Curent nominal UL (Use Group B): 15; A  
 Tensiune nominala UL (Use Group D): 300; V  
 Curent nominal UL (Use Group D): 10; A  
 Certificari: UL 1059;  
 Tehnologie conexiune: Push-in CAGE CLAMP®;  
 Tip actionare: Push-button;  
 Solid conductor: 0,2 ... 2,5 mm² / 24 ... 12 AWG;  
 Fine-stranded conductor: 0,2 ... 2,5 mm² / 24 ... 12 AWG;  
 Fine-stranded conductor; with insulated ferrule: 0,25 ... 1,5 mm²;  
 Fine-stranded conductor; with uninsulated ferrule: 0,25 ... 2,5 mm²;  
 Strip length: 9 ... 10 mm / 0.35 ... 0.39 inch;  
 Conductor connection direction to PCB: 0; °  
 Numar poli: 4;  
 Numar total de conexiuni: 4;  
 Total number of potentials: 4;  
 Numar tipuri de conexiuni: 1;  
 Numar nivele: 1;  
 Distanta intre pini: 7,5 mm / 0.295 inch;  
 Latime: 27,5 mm / 1.083 inch;  
 Inaltime: 13,4 mm / 0.528 inch;  
 Adancime: 16,2 mm / 0.638 inch;  
 Lungimea pinului de contact: 2,4; mm  
 Diametrul pinului de contact: 1,4; mm  
 Diametru placat prin gaura (THR): 1,6 (+0,1) mm;  
 Tip contact (pluggable connector): Conector mama/priza;  
 Connector (connection type): for PCB;  
 Mismatching protection: No;  
 Mating direction to the PCB: 0; °  
 PCB contact: THR;  
 Culoare: light gray;  
 Material group: I;  
 Material izolator: Polyphthalamide (PPA GF);  
 Flammability class per UL94: V0;  
 Clamping spring material: Chrome nickel spring steel (CrNi);  
 Contact material: Cupru electrolitic(ECu);  
 Contact plating: tin-plated;  
 Fire load: 0,122; MJ  
 Greutate: 5,4; g  
 Temperatura lucru: -60 ... +100 °C;  
 Tip ambalare: BOX;  
 Tara de origine: DE;  
 GTIN: 4055143910637;  
 Customs tariff number: 85366990990;  
 Pret: 14,63 lei (TVA inclus)

Detalii online: <https://www.materialelectrice.ro/1-conductor-thr-female-header-1-4-mm-oe-solder-pin-angled-2-5-mm2-pin-spacing-7-5-mm-4-pole-2-50-mm2-light-gray-131705>