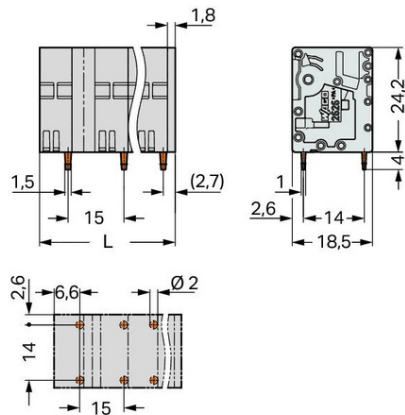


Furnizor: **Sc Trivolt Distribution SRL**
Reg. com.: J23/3300/2016
CIF: RO36421140
Adresa: Strada Apusului nr 3 (primul
sens giratoriu Tehodor Pallady-
Autostrada Soarelui), Catelu, Ilfov
Banca: BRD
IBAN: RO34BRDE441SV13182234410



**WAGO PCB TERMINAL BLOCK; 6 MM²; PIN SPACING 15 MM; 2-
POLE; PUSH-IN CAGE CLAMP®; 6,00 MM²; GRAY**

Ratings per: IEC/EN 60664-1;
Tensiune nominala (III/3): 1000; V
Tensiune nominala de supratensiune (III/3): 8; kV
Tensiune nominala (III/2): 1000; V
Tensiune nominala de supratensiune (III/2): 8; kV
Tensiune nominala (II/2): 1000; V
Tensiune nominala de supratensiune (II/2): 8; kV
Curent nominal: 48; A
Legend (ratings): (III / 2) \hat{a} %™ Overvoltage category III / Pollution degree 2;
Tensiune nominala UL (Use Group B): 600; V
Curent nominal UL (Use Group B): 38; A
Tensiune nominala UL (Use Group C): 600; V
Curent nominal UL (Use Group C): 38; A
Certificari: UL 1059;
Tehnologie conexiune: Push-in CAGE CLAMP®;
Tip actionare: Operating tool;
Solid conductor: 0.2 ... 10 mm² / 24 ... 8 AWG;
Fine-stranded conductor: 0.2 ... 10 mm² / 24 ... 8 AWG;
Fine-stranded conductor; with insulated ferrule: 0.25 ... 6 mm²;
Fine-stranded conductor; with uninsulated ferrule: 0.25 ... 6 mm²;
Fine-stranded conductor; with twin ferrule: 0.25 ... 2.5 mm²;
Strip length: 13 ... 15 mm / 0.51 ... 0.59 inch;
Conductor connection direction to PCB: 90; °
Numar poli: 2;
Numar total de conexiuni: 2;
Total number of potentials: 2;
Numar tipuri de conexiuni: 1;
Numar nivele: 1;
Distanta intre pini: 15 mm / 0.591 inch;
Latime: 16.8 mm / 0.661 inch;
Inaltime: 28.2 mm / 1.11 inch;
Inaltime de la fata: 24.2 mm / 0.953 inch;
Adancime: 18.5 mm / 0.728 inch;
Lungimea pinului de contact: 4; mm
Solder pin dimensions: 1.5 x 1 mm;
Diametrul de gaurire cu toleranta: 2 (+0.1) mm;
Tip montaj: Feed-through mounting;
PCB contact: THT;
Solder pin arrangement: over the entire terminal strip, in line;
Number of solder pins per potential: 1;
Culoare: gray;
Material group: I;
Material izolator: Polyamide 66 (PA 66);
Flammability class per UL94: V0;
Clamping spring material: Chrome nickel spring steel (CrNi);
Contact material: Cupru electrolitic (ECu);
Contact plating: tin-plated;
Greutate: 10,6; g
Temperatura lucru: -60 ... +105 °C;
Tip ambalare: BOX;
Tara de origine: DE;
GTIN: 4055143686839;
Customs tariff number: 85369010000;
Pret: 25,23 lei (TVA inclus)

Detalii online: <https://www.materialelectrice.ro/pcb-terminal-block-6-mm2-pin-spacing-15-mm-2-pole-push-in-cage-clamp-6-00-mm2-gray-131545>