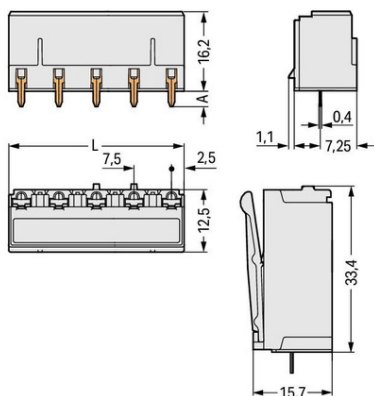


Furnizor: **Sc Trivolt Distribution SRL**  
Reg. com.: J23/3300/2016  
CIF: RO36421140  
Adresa: Strada Apusului nr 3 ( primul  
sens giratoriu Tehodor Pallady-  
Autostrada Soarelui), Catelu, Ilfov  
Banca: BRD  
IBAN: RO34BRDE441SV13182234410



**WAGO THT FEMALE HEADER; 0.4 X 1.3 MM SOLDER PIN; STRAIGHT;  
PIN SPACING 7.5 MM; 4-POLE; LIGHT GRAY**

Ratings per: IEC/EN 60664-1;  
Tensiune nominala (III/3): 400; V  
Tensiune nominala de supratensiune (III/3): 6; kV  
Tensiune nominala (III/2): 630; V  
Tensiune nominala de supratensiune (III/2): 6; kV  
Tensiune nominala (II/2): 1000; V  
Tensiune nominala de supratensiune (II/2): 6; kV  
Curent nominal: 16; A  
Legend (ratings): (III / 2)  $\hat{a}$ %™ Overvoltage category III / Pollution degree 2;  
Tensiune nominala UL (Use Group B): 300; V  
Curent nominal UL (Use Group B): 15; A  
Tensiune nominala UL (Use Group D): 300; V  
Curent nominal UL (Use Group D): 10; A  
Certificari: UL 1059;  
Numar poli: 4;  
Total number of potentials: 4;  
Numar tipuri de conexiuni: 1;  
Numar nivele: 1;  
Distanta intre pini: 7,5 mm / 0.295 inch;  
Latime: 27,5 mm / 1.083 inch;  
Inaltime: 19,8 mm / 0.78 inch;  
Inaltime de la fata: 16,2 mm / 0.638 inch;  
Adancime: 13,6 mm / 0.535 inch;  
Lungimea pinului de contact: 3,6; mm  
Solder pin dimensions: 0,4 x 1,3 mm;  
Diametrul de gaurire cu toleranta: 1,5 (+0,1) mm;  
Tip contact (pluggable connector): Conector mama/priza;  
Connector (connection type): for PCB;  
Mismatching protection: No;  
Mating direction to the PCB: 90; °  
PCB contact: THT;  
Culoare: light gray;  
Material group: I;  
Material izolator: Polyphthalamide (PPA GF);  
Flammability class per UL94: V0;  
Contact material: Copper alloy;  
Contact plating: tin-plated;  
Fire load: 0,123; MJ  
Greutate: 4,8; g  
Temperatura lucru: -60 ... +100 °C;  
Product Group: 26 (picoMAX);  
Tip ambalare: BOX;  
Tara de origine: DE;  
GTIN: 4050821164494;  
Customs tariff number: 85366990990;  
Pret: 15,77 lei (TVA inclus)

Detalii online: <https://www.materialeelectrice.ro/tht-female-header-0-4-x-1-3-mm-solder-pin-straight-pin-spacing-7-5-mm-4-pole-light-gray-130705>