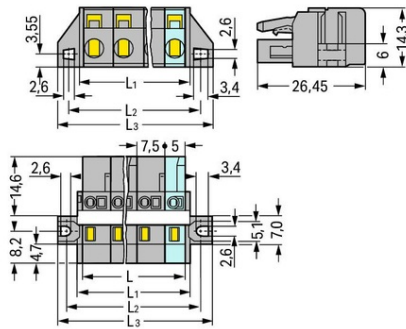


Furnizor: **Sc Trivolt Distribution SRL**
 Reg. com.: J23/3300/2016
 CIF: RO36421140
 Adresa: Strada Apusului nr 3 (primul
 sens giratoriu Tehodor Pallady-
 Autostrada Soarelui), Catelu, Ilfov
 Banca: BRD
 IBAN: RO34BRDE441SV13182234410



**WAGO 1-CONDUCTOR FEMALE PLUG; CLAMPING COLLAR; 2.5 MM²;
 PIN SPACING 7.5 MM; 8-POLE; 2,50 MM²; GRAY**

Ratings per: IEC/EN 60664-1;
 Tensiune nominala (III/3): 500; V
 Tensiune nominala de supratensiune (III/3): 6; kV
 Tensiune nominala (III/2): 630; V
 Tensiune nominala de supratensiune (III/2): 6; kV
 Tensiune nominala (II/2): 1000; V
 Tensiune nominala de supratensiune (II/2): 6; kV
 Curent nominal: 16; A
 Legend (ratings): (III / 2) \hat{a} %TM Overvoltage category III / Pollution degree 2;
 Tensiune nominala UL (Use Group B): 300; V
 Curent nominal UL (Use Group B): 15; A
 Tensiune nominala UL (Use Group D): 300; V
 Curent nominal UL (Use Group D): 10; A
 Certificari: UL 1059;
 Tensiune nominala UL 1977: 600; V
 Curent nominal UL 1977: 15; A
 Tensiune nominala CSA (Use Group B): 300; V
 Curent nominal CSA (Use Group B): 15; A
 Tensiune nominala CSA (Use Group D): 300; V
 Curent nominal CSA (Use Group D): 10; A
 Tehnologie conexiune: CAGE CLAMP®;
 Tip actionare: Operating tool;
 Solid conductor: 0.08 ... 2.5 mm² / 28 ... 12 AWG;
 Fine-stranded conductor: 0.08 ... 2.5 mm² / 28 ... 12 AWG;
 Fine-stranded conductor; with insulated ferrule: 0.25 ... 1.5 mm²;
 Fine-stranded conductor; with uninsulated ferrule: 0.25 ... 2.5 mm²;
 Strip length: 8 ... 9 mm / 0.31 ... 0.35 inch;
 Numar poli: 8;
 Numar total de conexiuni: 8;
 Total number of potentials: 8;
 Numar tipuri de conexiuni: 1;
 Numar nivele: 1;
 Conductor entry direction to mating direction: 0; °
 Distanta intre pini: 7.5 mm / 0.295 inch;
 Latime: 72.3 mm / 2.846 inch;
 Inaltime: 14.3 mm / 0.563 inch;
 Adancime: 26.45 mm / 1.041 inch;
 Tip montaj: Mounting flange;
 Tip montaj: Feed-through mounting; Panel mounting;
 with reinforcing strips: 1;
 Tip contact (pluggable connector): Conector mama/priza;
 Connector (connection type): for conductors;
 Mismatching protection: No;
 Culoare: gray;
 Material group: I;
 Material izolator: Polyamide 66 (PA 66);
 Flammability class per UL94: V0;
 Clamping spring material: Chrome nickel spring steel (CrNi);
 Contact material: Copper alloy;
 Contact plating: tin-plated;
 Fire load: 0,302; MJ
 Greutate: 17,6; g
 Temperatura lucru: -60 ... +85 °C;
 Product Group: 3 (Multi Conn. System);
 Tip ambalare: BOX;
 Tara de origine: DE;
 GTIN: 4044918367257;
 Customs tariff number: 85366990990;
 Pret: 38,52 lei (TVA inclus)

Detalii online: <https://www.materialelectrice.ro/1-conductor-female-plug-clamping-collar-2-5-mm2-pin-spacing-7-5-mm-8-pole-2-50-mm2-gray-130601>