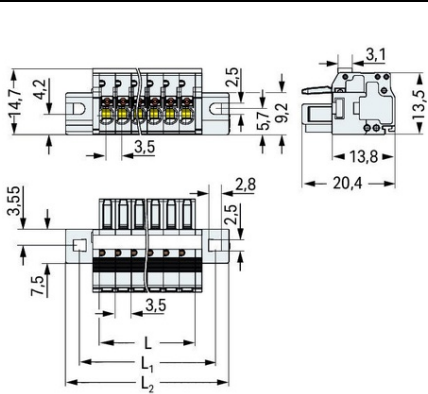


Furnizor: **Sc Trivolt Distribution SRL**
Reg. com.: J23/3300/2016
CIF: RO36421140
Adresa: Strada Apusului nr 3 (primul
sens giratoriu Tehodor Pallady-
Autostrada Soarelui), Catelu, Ilfov
Banca: BRD
IBAN: RO34BRDE441SV13182234410



**WAGO 1-CONDUCTOR FEMALE PLUG; 100% PROTECTED AGAINST
MISMATING; PUSH-BUTTON; CLAMPING COLLAR; 1.5 MM²; PIN
SPACING 3.5 MM; 10-POLE; 1.50 MM²; LIGHT GRAY**

Ratings per: IEC/EN 60664-1;
Tensiune nominala (III/3): 160; V
Tensiune nominala de supratensiune (III/3): 2,5; kV
Tensiune nominala (III/2): 160; V
Tensiune nominala de supratensiune (III/2): 2,5; kV
Tensiune nominala (II/2): 320; V
Tensiune nominala de supratensiune (II/2): 2,5; kV
Curent nominal: 10; A
Legend (ratings): (III / 2) \hat{a} %TM Overvoltage category III / Pollution degree 2;
Tensiune nominala UL (Use Group B): 300; V
Curent nominal UL (Use Group B): 10; A
Tensiune nominala UL (Use Group D): 300; V
Curent nominal UL (Use Group D): 10; A
Certificari: UL 1059;
Tensiune nominala CSA (Use Group B): 300; V
Curent nominal CSA (Use Group B): 10; A
Tensiune nominala CSA (Use Group D): 300; V
Curent nominal CSA (Use Group D): 10; A
Tehnologie conexiune: Push-in CAGE CLAMP®;
Tip actionare: Push-button;
Solid conductor: 0,2 ... 1,5 mm² / 24 ... 16 AWG;
Fine-stranded conductor: 0,2 ... 1,5 mm² / 24 ... 16 AWG;
Fine-stranded conductor; with insulated ferrule: 0,25 ... 0,75 mm²;
Fine-stranded conductor; with uninsulated ferrule: 0,25 ... 1,5 mm²;
Strip length: 8 ... 9 mm / 0.31 ... 0.35 inch;
Numar poli: 10;
Numar total de conexiuni: 10;
Total number of potentials: 10;
Numar tipuri de conexiuni: 1;
Numar nivele: 1;
Conductor entry direction to mating direction: 0; °
Distanta intre pini: 3,5 mm / 0.138 inch;
Latime: 49,8 mm / 1.961 inch;
Inaltime: 14,7 mm / 0.579 inch;
Adancime: 20,4 mm / 0.803 inch;
Tip montaj: Mounting flange;
Tip montaj: Feed-through mounting; Panel mounting;
with reinforcing strips: 1;
Tip contact (pluggable connector): Conector mama/priza;
Connector (connection type): for conductor;
Mismating protection: Yes;
Culoare: light gray;
Material group: I;
Material izolator: Polyamide 66 (PA 66);
Flammability class per UL94: V0;
Clamping spring material: Chrome nickel spring steel (CrNi);
Contact material: Copper alloy;
Contact plating: tin-plated;
Fire load: 0,196; MJ
Greutate: 9,7; g
Temperatura lucru: -60 ... +100 °C;
Product Group: 3 (Multi Conn. System);
Tip ambalare: BOX;
Tara de origine: PL;
GTIN: 4055143281980;
Customs tariff number: 85366990990;
Pret: 50,16 lei (TVA inclus)

Detalii online: <https://www.materialelectrice.ro/1-conductor-female-plug-100-protected-against-mismating-push-button-clamping-collar-1-5-mm2-pin-spacing-3-5-mm-10-pole-1-50-mm2-light-gray-130543>