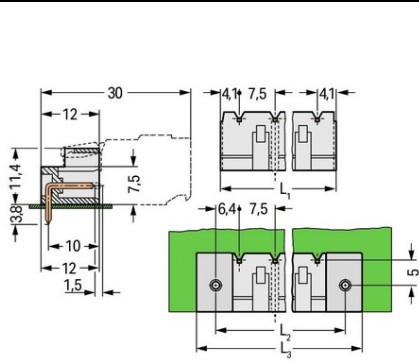


Furnizor: **Sc Trivolt Distribution SRL**
Reg. com.: J23/3300/2016
CIF: RO36421140
Adresa: Strada Apusului nr 3 (primul
sens giratoriu Tehodor Pallady-
Autostrada Soarelui), Catelu, Ilfov
Banca: BRD
IBAN: RO34BRDE441SV13182234410



WAGO THT MALE HEADER; 1.0 X 1.0 MM SOLDER PIN; ANGLED;
100% PROTECTED AGAINST MISMATING; PIN SPACING 7.5 MM; 5-
POLE; LIGHT GRAY

Ratings per: IEC/EN 60664-1;
Tensiune nominala (III/3): 500; V
Tensiune nominala de supratensiune (III/3): 6; kV
Tensiune nominala (III/2): 630; V
Tensiune nominala de supratensiune (III/2): 6; kV
Tensiune nominala (II/2): 1000; V
Tensiune nominala de supratensiune (II/2): 6; kV
Curent nominal: 12; A
Legend (ratings): (III / 2) $\hat{a}\%$ ™ Overvoltage category III / Pollution degree 2;
Tensiune nominala UL (Use Group B): 300; V
Curent nominal UL (Use Group B): 15; A
Tensiune nominala UL (Use Group D): 300; V
Curent nominal UL (Use Group D): 10; A
Certificari: UL 1059;
Tensiune nominala UL 1977: 600; V
Curent nominal UL 1977: 10; A
Tensiune nominala CSA (Use Group B): 300; V
Curent nominal CSA (Use Group B): 15; A
Tensiune nominala CSA (Use Group D): 300; V
Curent nominal CSA (Use Group D): 10; A
Numar poli: 5;
Total number of potentials: 5;
Numar tipuri de conexiuni: 1;
Numar nivele: 1;
Distanta intre pini: 7.5 mm / 0.295 inch;
Latime: 38.2 mm / 1.504 inch;
Inaltime: 15.2 mm / 0.598 inch;
Inaltime de la fata: 11.4 mm / 0.449 inch;
Adancime: 12 mm / 0.472 inch;
Lungimea pinului de contact: 3,8; mm
Solder pin dimensions: 1 x 1 mm;
Diametrul de gaurire cu toleranta: 1.4 (+0.1) mm;
Tip contact (pluggable connector): Conector tata/fisa;
Connector (connection type): for PCBs;
Mismating protection: Yes;
Mating direction to the PCB: 0; °
PCB contact: THT;
Solder pin arrangement: over the entire male connector, in line;
Number of solder pins per potential: 1;
Culoare: light gray;
Material group: I;
Material izolator: Polyamide 66 (PA 66);
Flammability class per UL94: V0;
Contact material: Cupru electrolitic(ECu);
Contact plating: tin-plated;
Fire load: 0,044; MJ
Greutate: 2,2; g
Temperatura lucru: -60 ... +100 °C;
Product Group: 3 (Multi Conn. System);
Tip ambalare: BOX;
Tara de origine: PL;
GTIN: 4044918869966;
Customs tariff number: 85366990990;
Pret: 7,34 lei (TVA inclus)

Detalii online: <https://www.materialelectrice.ro/tht-male-header-1-0-x-1-0-mm-solder-pin-angled-100-protected-against-mismating-pin-spacing-7-5-mm-5-pole-light-gray-130470>