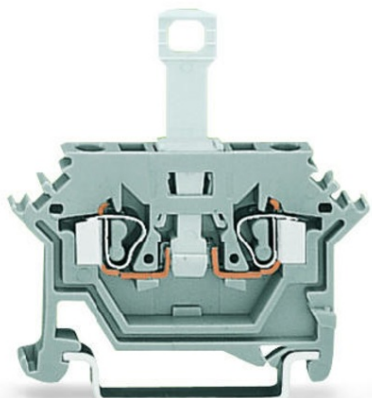


Furnizor: **Sc Trivolt Distribution SRL**  
Reg. com.: J23/3300/2016  
CIF: RO36421140  
Adresa: Strada Apusului nr 3 ( primul  
sens giratoriu Tehodor Pallady-  
Autostrada Soarelui), Catelu, Ilfov  
Banca: BRD  
IBAN: RO34BRDE441SV13182234410



**WAGO 2-CONDUCTOR DISCONNECT TERMINAL BLOCK; FOR DIN-  
RAIL 35 X 15 AND 35 X 7.5; 2.5 MM<sup>2</sup>; CAGE CLAMP®; 2.50 MM<sup>2</sup>;  
BLUE**

Tesiune nominala (III/3): 400; V  
Tensiune nominala de supratensiune (III/3): 6; kV  
Curent nominal: 10; A  
Legend (ratings): (III / 3) %<sup>o</sup>™ Overvoltage category III / Pollution degree 3;  
Tehnologie conexiune: CAGE CLAMP®;  
Tip actionare: Operating tool;  
Connectable conductor materials: Copper; Aluminum;  
Solid conductor: 0,08 ... 2,5 mm<sup>2</sup> / 28 ... 12 AWG;  
Fine-stranded conductor: 0,08 ... 2,5 mm<sup>2</sup> / 28 ... 12 AWG;  
Strip length: 8 ... 9 mm / 0.31 ... 0.35 inch;  
Numar total de conexiuni: 2;  
Total number of potentials: 2;  
Numar nivele: 1;  
Wiring type: Front-entry wiring;  
Note (conductor cross-section): 12 AWG: THHN, THWN;  
Latime: 5 mm / 0.197 inch;  
Inaltime from upper-edge of DIN-rail: 52 mm / 2.047 inch;  
Adancime: 50 mm / 1.969 inch;  
Design: horizontal type;  
Tip montaj: DIN-35 rail;  
Marking level: Side marking;  
Culoare: blue;  
Material izolator: Polyamide 66 (PA 66);  
Fire load: 0,105; MJ  
Greutate: 5,3; g  
Product Group: 1 (Rail Mounted Terminal Blocks);  
Tip ambalare: BOX;  
Tara de origine: DE;  
GTIN: 4044918539166;  
Customs tariff number: 85369010000;  
Pret: 11,99 lei (TVA inclus)

Detalii online: <https://www.materialelectrice.ro/2-conductor-disconnect-terminal-block-for-din-rail-35-x-15-and-35-x-7-5-2-5-mm2-cage-clamp-2-50-mm2-blue-130401>