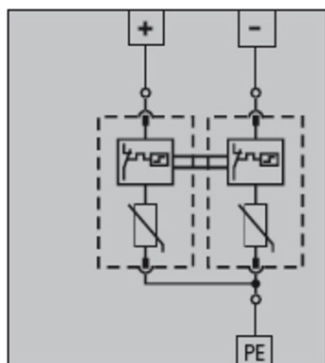


Furnizor: **Sc Trivolt Distribution SRL**
Reg. com.: J23/3300/2016
CIF: RO36421140
Adresa: Strada Apusului nr 3 (primul
sens giratoriu Tehodor Pallady-
Autostrada Soarelui), Catelu, Ilfov
Banca: BRD
IBAN: RO34BRDE441SV13182234410



**LOVATO DESCARCATOR TIP 2 PENTRU APLICATII FOTOVOLTAICE
WITH PLUG-IN CARTRIDGE, EN SHORT-CIRCUIT CURRENT RATING
ISCPV 100A, +, -, PE. WITHOUT CONTACT REMOTE**

Cod producator Lovato: Surge Protection Device (SPD)
Tip produs: SA2
Operating voltage type: DC
Application: DC Power lines
Number of DIN modules: 2
SPD according to EN50539-11: Da
Rated operational voltage DC: VDC 600
Maximum continuous voltage Ucpv: V 600
Maximum discharge current (IEC) I_{max} 8/20 (L-N/N-PE): kA 30
Voltage protection level (IEC) U_p (L-N/N-PE):
Tripping time t_a (L-N/N-PE): ns
Thermal isolation protection: Da
Backup protection fuse (IEC) with I_{sc} >100A: 100A gPV
Maximum short circuit current I_{scpv}: kA 0.1
Status indicator - operating / end of life: Frontal indication
Max altitude: m 2000
Mounting: Din rail
Tightening torque for terminals max: Nm 3
Conductor section - Flexible max (IEC): mm² 25
Conductor section - Rigid max (IEC): mm² 35
Greutate: g 320
Frontal IP degree: IP20
Pret: 679,90 lei (TVA inclus)

Detalii online: <https://www.materialeelectrice.ro/descarcator-tip-2-pentru-aplicatii-fotovoltaiice-with-plug-in-cartridge-en-short-circuit-current-rating-iscpv-100a-pe-without-contact-remote-126775>